



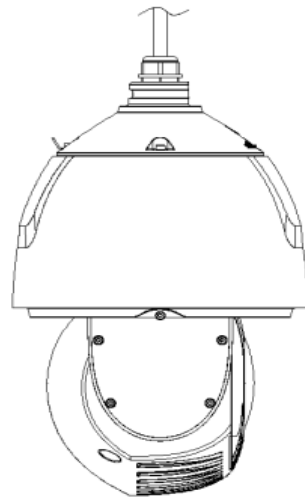
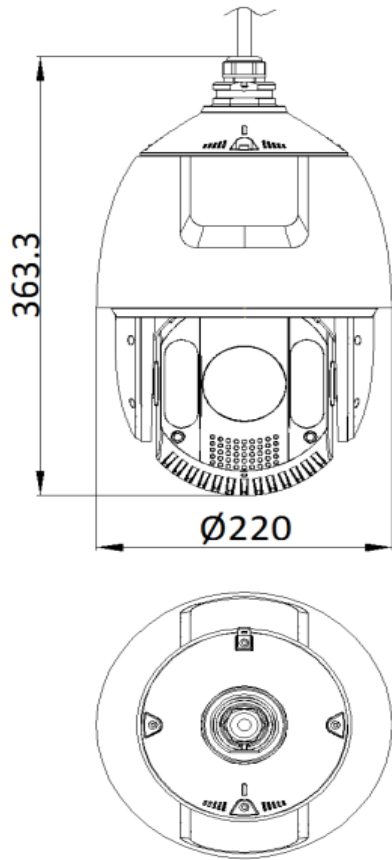
QuickView SD 25

Intellio PTZ Network Camera



| CAMERA | |
|---------------------------------|---|
| Resolution | 4MP (2560 × 1440) |
| Focal Length | 4.8 - 120 mm |
| Zoom | 25x optical, 16x digital |
| Field of View | Horizontal: 50.8° - 2.6° Vertical: 29.4° - 1.5° Diagonal: 57.4° - 3° |
| Image Sensor | 1/2.8" Progressive Scan CMOS |
| Min. Illumination | Color: 0.005 Lux (F1.6, AGC ON), B/W: 0.001 Lux (F1.6, AGC ON), 0 Lux with IR |
| Shutter Speed | 1/1 s - 1/30,000 s |
| Day & Night | Yes |
| WDR | 120dB |
| Streaming (Primary & Secondary) | 50 Hz: 25 fps (2560 × 1440, 1920 × 1080, 1280 × 960, 1280 × 720) & (704 × 576, 640 × 480, 352 × 288), 60 Hz: 30 fps (2560 × 1440, 1920 × 1080, 1280 × 960, 1280 × 720) & (704 × 480, 640 × 480, 352 × 240) |
| DORI Distance (Tele) | Detect (25 px/m): 2200 m Observe (63 px/m): 873 m Recognize (125 px/m): 440 m Identify (250 px/m): 220 m |
| IR Distance | Up to 200 m |
| EVENT | |
| Basic Event | Motion detection, video tampering alarm, alarm input and output |
| Smart Event | Line crossing detection, intrusion detection, region entrance detection, region exiting detection, unattended baggage detection, object removal detection, audio exception detection |
| Smart Tracking | Manual Tracking |
| COMPRESSION | |
| Video Compression | H.265 / H.264 / MJPEG (only on Secondary stream) |
| Video Bit Rate | 256 Kbps - 16 Mbps |
| Audio Compression | G.711ulaw / G.711alaw / G.722.1 / G.726 / MP2L2 / PCM |
| INTERFACE | |
| Communication Interface | 1x RJ45 10M/100M Ethernet port |
| IO port | Audio I/O; Alarm I/O (2/1) |
| On-board Storage | Built-in microSD slot, up to 256 GB |
| NETWORK | |
| Protocols | IPv4/IPv6, HTTP, HTTPS, 802.1x, QoS, FTP, SMTP, UPnP, SNMP, DNS, DDNS, NTP, RTSP, RTCP, RTP, TCP/IP, UDP, IGMP, ICMP, DHCP, PPPoE, Bonjour |
| Client | Intellio Video System 5 |
| GENERAL | |
| Power Supply / Consumption | 24 VAC, max. 42 W (including max. 18 W for IR and max. 10 W for heater) Hi-PoE |
| Protection Level | IP66 |
| Weight | 5 kg |

DIMENSIONS



Unit:mm