



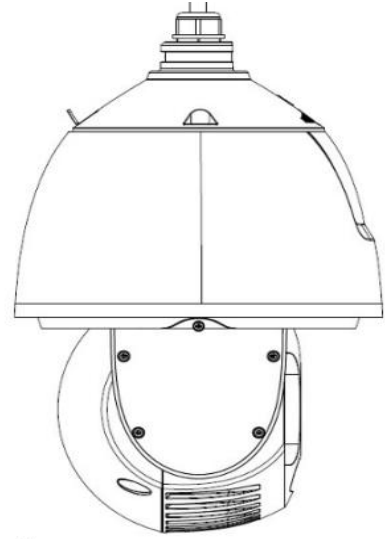
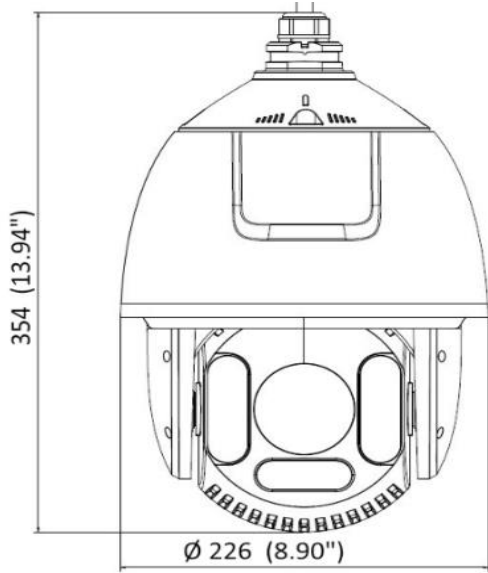
## QuickView SD 45

Intellio PTZ Network Camera



CAMERA	
Resolution	4MP (2560 × 1440)
Focal Length	5.9 - 265.5 mm
Zoom	45× optical, 16× digital
Field of View	Horizontal: 60.2° - 1.7° Vertical: 35.2° - 1° Diagonal: 67.4° - 1.8°
Image Sensor	1/1.8" Progressive Scan CMOS
Min. Illumination	Color: 0.005 Lux (F1.5, AGC ON), B/W: 0.0005 Lux (F1.5, AGC ON), 0 Lux with IR
Shutter Speed	1/3 s - 1/30,000 s
Day & Night	Yes
WDR	120dB
Streaming (Primary & Secondary)	50 Hz: 25 fps (2560 × 1440, 1920 × 1080, 1280 × 960, 1280 × 720) & (704 × 576, 640 × 480, 352 × 288), 60 Hz: 30 fps (2560 × 1440, 1920 × 1080, 1280 × 960, 1280 × 720) & (704 × 480, 640 × 480, 352 × 240)
DORI Distance (Tele)	Detect (25 px/m): 4020 m Observe (63 px/m): 1595 m Recognize (125 px/m): 804 m Identify (250 px/m): 402 m
IR Distance	Up to 300 m
EVENT	
Basic Event	Motion detection, video tampering alarm, alarm input and output
Smart Event	Line crossing detection, intrusion detection, region entrance detection, region exiting detection, unattended baggage detection, object removal detection, audio exception detection
Smart Tracking	Manual Tracking
COMPRESSION	
Video Compression	H.265 / H.264 / MJPEG (only on Secondary stream)
Video Bit Rate	256 Kbps - 16 Mbps
Audio Compression	G.711ulaw / G.711alaw / G.722.1 / G.726 / MP2L2 / PCM
INTERFACE	
Communication Interface	1x RJ45 10M/100M Ethernet port
IO port	Audio I/O; Alarm I/O (7/2)
On-board Storage	Built-in microSD slot, up to 256 GB
NETWORK	
Protocols	IPv4/IPv6, HTTP, HTTPS, 802.1x, QoS, FTP, SMTP, UPnP, SNMP, DNS, DDNS, NTP, RTSP, RTCP, RTP, TCP/IP, UDP, IGMP, ICMP, DHCP, PPPoE, Bonjour
Client	Intellio Video System 5
GENERAL	
Power Supply / Consumption	24 VAC, 3.0 A, 50/60 Hz Hi-PoE, 42.5 - 57 VDC, 1.41 A (Max. 40 W, includes max. 16 W for IR and max. 10 W for heater)
Protection Level	IP66
Weight	5 kg

DIMENSIONS



Unit: mm (inch)